

DIN 608 (12.9) KV 4

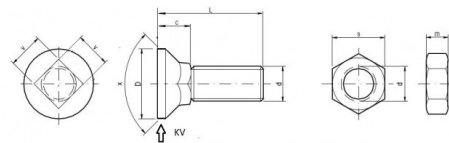
Plough bolts with square neck with nuts DIN 934 (10.9)

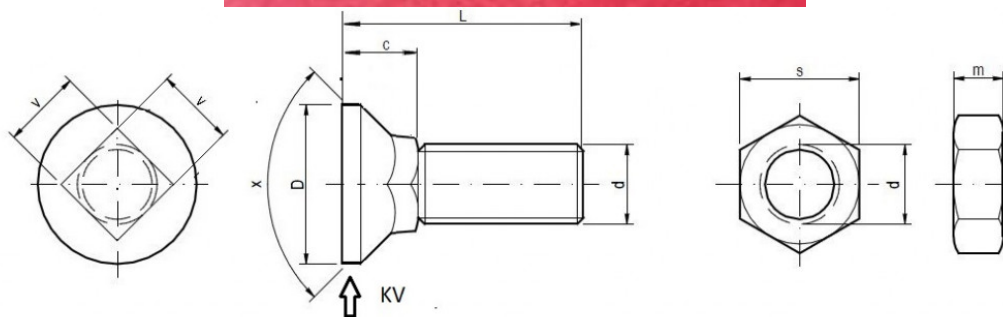
THE MOST PARTICULAR USE

The bolts to machinery of LEMKEN

The most often used code **OEM LEMKEN 3015789**

M 12 x 36





Specifications

d	c	D	x	v	s	m
M 12 KV 4	10,50	24,00	90°	12,00	19,00	10,00

Packaging

Packed in boxes / pcs		Packaging without nuts	Packaging with nuts
12 x 36	DIN 608 12.9 KV 4	100	50/50