

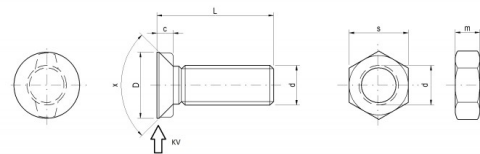
## ISO 5713 (8.8, 10.9) KV 4,0

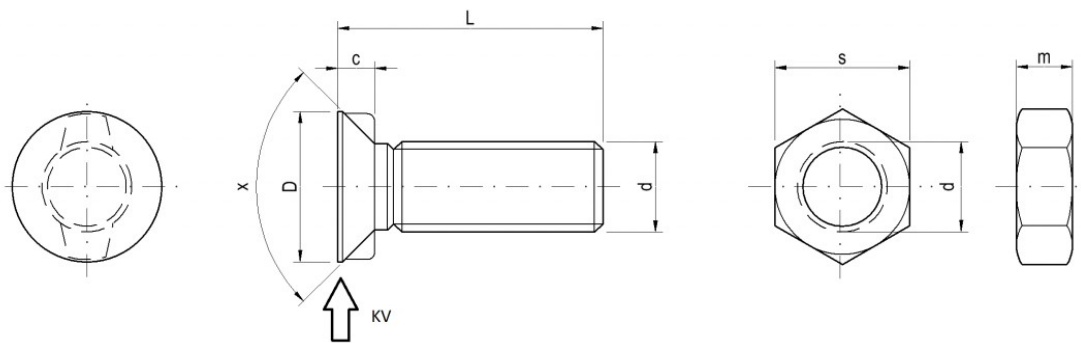
Plough bolts with height of head 4,0 mm, 2 nibs and with nuts DIN 934 (8.8)

### THE MOST PARTICULAR USE

The bolts to machinery of KVERNELAND

The most often used bolt - KVERNELAND 12 x 35





## Specifications

d	c	D	x	s	m
M 12 KV 4,0	8,00	20,00	90°	19,00	10,00

The bolts ISO 5713 do fit to machinery of OEM KVERNELAND, ÖVERUM, PÖTTINGER, LANDSBERG, NIEMEYER, RABE, OVLAC, KÖCKERLING, FARMET, BEDNAR, ROSS, PHX, UNIA GRUDZIADZ, OPALL AGRI, and many others

## Packaging

Packed in boxes / pcs		Packaging without nuts	Packaging with nuts
12 x 30	ISO 5713 (8.8,10.9) KV 4	100	50/50
12 x 35	ISO 5713 (8.8,10.9) KV 4	100	50/50
12 x 40	ISO 5713 (8.8,10.9) KV 4	150	100/100
12 x 45	ISO 5713 (8.8,10.9) KV 4	150	100/100
12 x 50	ISO 5713 (8.8,10.9) KV 4	100	100/100
12 x 60	ISO 5713 (8.8,10.9) KV 4	90	50/50
12 x 70	ISO 5713 (8.8,10.9) KV 4	80	50/50
12 x 80	ISO 5713 (8.8,10.9) KV 4	60	50/50
12 x 90	ISO 5713 (8.8,10.9) KV 4	50	50/50
12 x 100	ISO 5713 (8.8,10.9) KV 4	50	50/50