

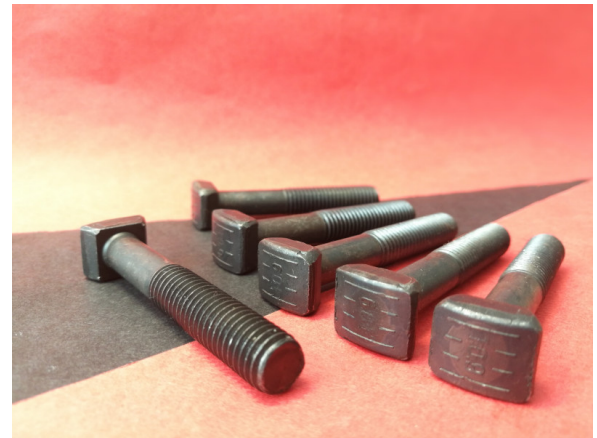
KÖCKERLING - hammer head bolt

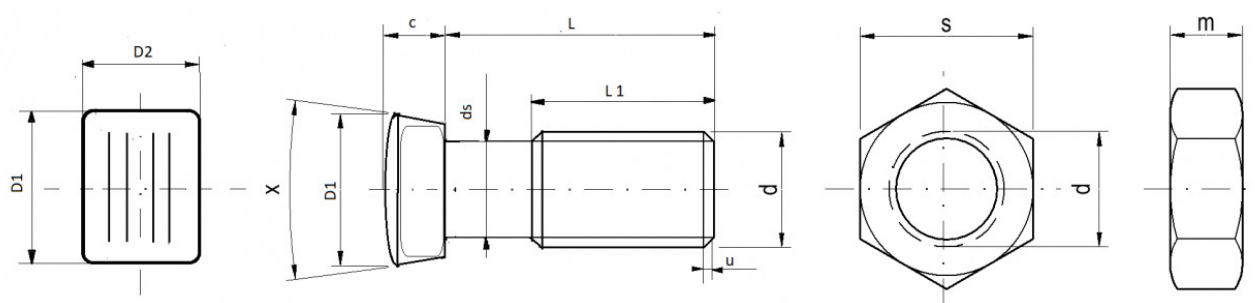
Hammer head bolts 10.9 with nuts DIN 934 (8.8)

THE MOST PARTICULAR USE

The bolts for machinery of Köckerling

The most often used OEM Köckerling 901933





Specifications

d	c	D1	D2	x	s	m
M 10	7,00	16,00	13,5	55°	17,00	8,00

Packaging

		Packaging without nuts	Packaging with nuts
10 x 55	KÖCKERLING 10.9	100	100/100
10 x 60	KÖCKERLING 10.9	150	100/100